



# Instruction Book

MO0911 - MO8801D - MO8801S - MO8821D - MO8821S - P18002 - P18022A - P18003 - P18023  
P18621A - P18621R - P18621S - P18802D - P18802S - P18822D - P18822S - P18842D - P18842S - P18862D - P18862S

## SAFETY ALERT SYMBOLS

### FOR YOUR SAFETY

Safety Symbols alerting you to potential personal safety hazards. Obey all safety messages following these symbols.



**WARNING**  
Avoid possible injury  
or death.



**CAUTION**  
Avoid possible injury and/or  
property damage.

**FOR YOUR SAFETY READ ALL INSTRUCTIONS BEFORE OPERATING APPLIANCE  
INSTALLER: PROVIDE THESE INSTRUCTIONS TO THE CONSUMER.  
CONSUMER: KEEP DOCUMENTS FOR FUTURE REFERENCE.**

**WARNING: if the information in this manual is not followed exactly, a fire or explosion may result causing property damage, personal injury or death.**

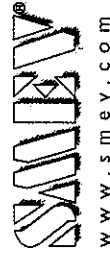
- Do not store or use gasoline or other flammable vapors and liquids in the vicinity of this or any other appliance.

### - WHAT TO DO IF YOU SMELL GAS

- Do not try light any appliance.
- Do not touch any electrical switch.
- Do not use any phone in your recreational vehicle.
- Clear the recreational vehicle of all occupants.
- Turn off the gas supply tank valve(s) or main gas supply.
- Immediately call your gas supplier for instructions.
- If you cannot reach your gas supplier, call the fire department.

- Have the gas system checked and leakage source corrected by a qualified installer, service agency, manufacturer or dealer or the gas supplier.

COD 39 REV 3



WWW.SMEV.COM

# FOR YOUR SAFETY



WARNING

**CARBON MONOXIDE POISONING**  
 • NEVER USE THIS APPLIANCE AS A SPACE HEATER TO HEAT OR WARM THE ROOM. DOING SO MAY RESULT IN CARBON MONOXIDE POISONING AND OVERHEATING OF THE APPLIANCE.  
 • CARBON MONOXIDE (CO) POISONING PRODUCES FLU-LIKE SYMPTOMS, WATERY EYES, HEADACHES, DIZZINESS, FATIGUE AND POSSIBLY DEATH. YOU CAN'T SEE IT AND YOU CAN'T SMELL IT. IT'S AN INVISIBLE KILLER. IF THESE SYMPTOMS ARE PRESENT DURING OPERATION OF THIS PRODUCT GET FRESH AIR IMMEDIATELY!

# CONTENTS

<b>INSTALLATION</b>	<b>3</b>
WARNING	3
HOLE	3
CONNECTING TO GAS SUPPLY	4
CONNECTING TO ELECTRICITY SUPPLY	4
FIXING	5
<b>USE</b>	<b>6</b>
SAFETY WARNINGS	6
CONTROLS	6
BURNERS	7
SELECTING BURNER	8
ELECTRONIC IGNITION COOKTOP	8
MANUAL IGNITION COOKTOP	8
COOKTOP FLAME REGULATION	8
VISUAL FLAME CONTROL	8
<b>MAINTENANCE</b>	<b>9</b>
INJECTOR	9
TEST PRESSURE POINT	9
CLEANING	9
WARRANTY	9
<b>TECHNICAL PLAN</b>	<b>21-30</b>

# WARNING



WARNING

**THIS APPLIANCE MUST BE INSTALLED IN ACCORDANCE WITH REGULATIONS. IT FORCE AND ONLY USED IN A WELL VENTILATED SPACE. READ THE INSTRUCTION BEFORE INSTALLING OR USING THIS APPLIANCE. THE APPLIANCE MUST BE INSTALLED BY SPECIALIST TECHNICIANS.**

Installation must conform with local codes or in the absence of local codes, with the American National Standard for Recreational Vehicles, ANSI/A119.2 and the National Electrical Code, ANSI/NFPA 70. In Canada, installation must conform with CSA Z240.4-2-M.



WARNING

**THE APPLIANCE IS NOT TO BE USED AS A SPACE HEATER.**

This appliance is designed to cook foods only. Any other use is considered incorrect and dangerous. Any storage cabinet placed directly above the appliance should not be used when one or more of the appliance burners are on. The manufacturer is not responsible for any damage to persons or parts due to incorrect installation, improper, incorrect, or irresponsible use.

For proper operation of your cooking appliance:

- THE CABINET MUST BE**
- properly constructed.
  - squared to the countertop and cabinet face
- THE OPENING IN CABINET MUST BE**
- level from side to side and front to rear

The cabinet opening must be constructed so that no combustible material can be placed next to the cooktop side. The maximum depth of cabinets installed above the cooking top must be 13".

# HOLE



WARNING

**INFLAMMABLE MATERIALS MUST BE KEPT AT A SAFE DISTANCE FROM THE APPLIANCE.**

**MINIMUM CLEARANCES FROM THE EXTERNAL COMBUSTIBLE SURFACES (FIG. 4 - PAG. 30):**

SIDE CLEARANCE FROM THE EDGE OF THE BURNER TO ANY VERTICAL WALL	178 mm - 7"
OVERHEAD CLEARANCE FROM THE APPLIANCE COOKTOP TO A RANGE-HOOD OR SHELVES	762 mm - 30"
FROM THE LOWER PART OF THE APPLIANCE TO THE WALL UNDERNEATH	25 mm - 1"

Clearances are measured to combustible materials.  
 Make a hole in the furniture as indicated in FIG. 2 - PAG. 22  
 The cabinet must be suitably constructed and horizontally and vertically aligned.  
 The cabinet aperture must be perfectly squared and aligned.  
 If there are apertures for cabinet ventilation, avoid that any flammable material can enter these.

# CONNECTING TO GAS SUPPLY



CAUTION

THE USE OF A TYPE OF GAS AND/OR OF A PRESSURE DIFFERENT FROM THOSE PRESCRIBED BY SMEY, MAY CAUSE IRREGULAR OPERATING CONDITIONS OF THE APPLIANCE. FOR THIS REASON, SMEY DECLINES ANY RESPONSIBILITY ORIGINATING FROM INCORRECT USE OF THE APPLIANCE ITSELF.

This appliance operate with the following gas and corresponding supply pressure. The gas category of the appliance is given on the specifications label affixed to the appliance.

PRESSURE		GAS INPUT	
INLET MAX	INLET MIN	MANIFOLD	
14 IN.W.C. (1/2 PSI)	11 IN.W.C. (1/2 PSI)	10 IN.W.C. (1/2 PSI)	propane

TOTAL FLOW RATE DEPENDS ON THE MODEL AND NUMBER OF BURNERS. FOR FURTHER DETAILS ON TOTAL FLOW RATE FOR THE MODEL PURCHASED, REFER TO THE "BURNER" SECTION.



WARNING

DURING INSTALLATION AND CONNECTION, THE APPLIANCE GAS PIPE MUST NOT BE TWISTED, STRETCHED OR DEFORMED IN ANY OTHER WAY CAUSING HAZARD TO THE USER.

THE APPLIANCE AND ITS INDIVIDUAL SHUTOFF VALVE MUST BE DISCONNECTED FROM THE GAS SUPPLY PIPING SYSTEM DURING ANY PRESSURE TESTING. LEAK TEST IN EXCESS OF 1/2 PSI (3,5 kPa) OF AIR PRESSURE WILL INVALIDATE WARRANTY.

Do not over tighten connections to the gas regulator, as this may crack the regulator and cause a gas leak. Do not allow the regulator to turn on the pipe when tightening fittings. The connection of the gas supply pipe to the appliance must be gastight. Make sure that the gas supply pipe does not touch any metal parts which get hot during operation of the appliance. It must also be installed so that there is no contact with moving parts (e.g. drawers etc.) and must not pass through spaces where it can be deformed.



WARNING

LEAK TESTING OF THE APPLIANCE SHALL BE CONDUCTED ACCORDING TO THE MANUFACTURER'S INSTRUCTIONS.

Check all connections for gas leaks using a non-corrosive leak detection fluid. Do not use a soap and water solution. Never use a naked flame.

## CONNECTING TO ELECTRICITY SUPPLY

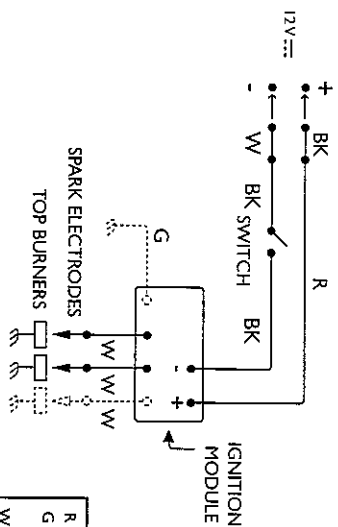
This chapter provides details on wiring for the following models: P18022A - P18023. The above models must be wired as illustrated in the "WIRING DIAGRAM". Voltage supply must be between 9 and 13 V.



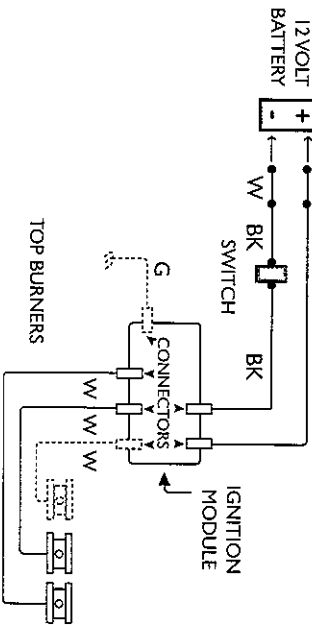
WARNING

CONNECT THE UNIT TO 12 V DIRECT CURRENT ONLY. DO NOT CONNECT TO HIGHER VOLTAGE. CONNECT ONLY TO PROTECTED CIRCUIT FUSED FOR NOT MORE THAN 3 Amps.

WIRING DIAGRAM:  
SCHEMATIC DIAGRAM



CONNECTION DIAGRAM



R = RED wire  
G = GREEN WITH YELLOW STRIPES wire  
(only for three burner models)  
W = WHITE wire  
BK = BLACK wire  
• = WIRE CONNECTION  
← = Wired by installer  
--- = only for three burner models



ALWAYS DISCONNECT THE ELECTRIC SUPPLY BEFORE ANY TYPE OF INTERVENTION ON THE UNIT.  
LABEL ALL WIRES PRIOR TO DISCONNECTION WHEN SERVICING CONTROLS.  
WIRING ERRORS CAN CAUSE IMPROPER AND DANGEROUS OPERATION.  
VERIFY PROPER OPERATION AFTER SERVICING.

## FIXING

The appliance must be secured by means of the fastening screws (FIG. 3 - PAG. 28):  
1) insert the appliance in the unit;  
2) tighten the screws.

# SAFETY WARNINGS



THIS APPLIANCE MUST ONLY BE USED BY RESPONSIBLE ADULTS. DURING AND IMMEDIATELY AFTER USE ACCESSIBLE PARTS MAY BE HOT; DO NOT TOUCH THEM AND KEEP CHILDREN AWAY. ONCE COOKING IS COMPLETED, ENSURE THAT ALL GAS CONTROL KNOBS ARE TURNED TO THE OFF POSITION, AFTER USE RETURN OFF THE GAS AT THE MAIN SUPPLY.



USE THE APPLIANCE ONLY IN A WELL VENTILATED SPACE. THE USE OF A GAS COOKING APPLIANCE RESULTS IN THE PRODUCTION OF HEAT AND MOISTURE IN THE ROOM IN WHICH IT IS INSTALLED. ENSURE THAT THE KITCHEN IS WELL VENTILATED: KEEP NATURAL VENTILATION APERTURE OPEN OR INSTALL A MECHANICAL VENTILATION DEVICE (MECHANICAL EXTRACTOR HOOD). PROLONGED INTENSIVE USE OF THE APPLIANCE MAY REQUIRE ADDITIONAL VENTILATION, FOR EXAMPLE OPENING OF A WINDOW OR MORE EFFECTIVE VENTILATION WHERE PRESENT. COOKING FACILITIES MUST NOT BE USED TO HEAT THE INSIDE OF THE VEHICLE. USE OVEN GLOVES OR POT HOLDERS WHEN HANDLING HOT ELEMENTS. NEVER LAY PYREX LIDS OR OTHER ITEMS ON THE BURNERS. KEEP APPLIANCE AREA CLEAR AND FREE FROM COMBUSTIBLE MATERIALS, GASOLINE AND OTHER FLAMMABLE VAPORS AND LIQUIDS. DO NOT OBSTRUCT THE FLOW OF COMBUSTION OR VENTILATION AIR.



GLASS COOKTOP COVERS MAY SHATTER WHEN HEATED. TOP COVER MUST BE OPEN WHEN ANY BURNER (COOKTOP OVEN AND BROILER) IS IN OPERATION AND TURN OFF ALL BURNERS (COOKTOP OVEN AND BROILER) BEFORE LOWERING THE COOKTOP GLASS COVER.

# CONTROLS

The following symbols indicate the burner corresponding to the control knob.  
NOTE: different models may have different knobs and different symbols.



THIS SYMBOL IS PLACED NEXT TO THE COOKTOP BURNER KNOBS. FULL DOT REFERS TO THE CORRESPONDING COOKTOP BURNER.

The following symbols indicate the burner regulation corresponding to the knob position.  
NOTE: different models may have different knobs and different symbols.



GAS OFF



IGNITE POSITION



HIGH FLAME



MINIMUM FLAME

## OTHER SYMBOLS



PUSH BUTTON ELECTRONIC IGNITION

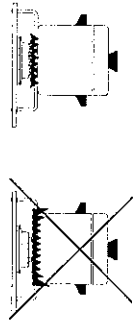
# BURNERS

Technical specifications for burners referring to appliance model:

MODEL	AUXILIARY Ø 47 mm Ø   27132" m <sup>3</sup> (BTU/Hr)	BURNERS SEMI-RAPID Ø 67 mm Ø 27116" m <sup>3</sup> (BTU/Hr)	RAPID Ø 77 mm Ø 3" m <sup>3</sup> (BTU/Hr)	TOTAL FLOW RATE BTU/Hr
MO0911	1 (3700)	1 (5900)		9600
MO8801D	1 (3700)			3700
MO8801S	1 (3700)			3700
MO8821D	1 (3700)			3700
MO8821S	1 (3700)			3700
PI8002	1 (3700)	1 (5900)		9600
PI8022	1 (3700)	1 (5900)		9600
PI8022A	1 (3700)	1 (5900)		9600
PI8003	1 (3700)	2 (5900)		15500
PI8023	1 (3700)	2 (5900)		15500
PI8621A	1 (3700)			3700
PI8621R			1 (6700)	6700
PI8621S		1 (5900)		5900
PI8802D	1 (3700)		1 (6700)	10400
PI8802S	1 (3700)		1 (6700)	10400
PI8822D	1 (3700)		1 (6700)	10400
PI8822S	1 (3700)		1 (6700)	10400
PI8842D	1 (3700)		1 (6700)	10400
PI8842S	1 (3700)		1 (6700)	10400
PI8862D	1 (3700)		1 (6700)	10400
PI8862S	1 (3700)		1 (6700)	10400

**SELECTING BURNER**

**THE FLAME MUST NEVER EXTEND BEYOND THE EDGE OF THE PAN. CENTER THE PAN OVER THE BURNER ENSURING STABILITY ON THE PAN SUPPORT.**



BURNER	PAN DIAMETER
AUXILIARY Ø 47 mm - 1 27/32"	6 - 16 cm 2 3/8" - 6 5/16"
SEMI-RAPID Ø 62 mm - 2 7/16"	16 - 22 cm 6 5/16" - 8 21/32"
RAPID Ø 77 mm - 3"	16 - 22 cm 6 5/16" - 8 21/32"

**ELECTRONIC IGNITION COOKTOP (DEPENDING ON MODEL)**

**MAKE SURE THERE ARE NO PANS OR OTHER ANY OBJECTS ON THE BURNERS WHEN IGNITING.**



To ignite burner gently push-in and turn the control knob to IGNITE POSITION and maintaining the knob pushed at the same time press the electronic ignition pushbutton. Once the burner is alight maintain the knob in this position for few seconds to ensure the flame remains alight.



**IF THE BURNER DOES NOT IGNITE IMMEDIATELY REPEAT IGNITION AFTER HAVING FOLLOWED EACH STEP BELOW:**

- TURN THE KNOB TO "MINIMUM FLAME"
- PROCEED WITH MANUAL IGNITION
- CHECK THERE IS SUFFICIENT GAS IN THE GAS BOTTLE.

**IF THE APPLIANCE STILL DOES NOT IGNITE SHUT OFF THE GAS SUPPLY AT THE MAIN GAS TAP AND CONTACT YOUR LOCAL DEALER.**

**MANUAL IGNITION COOKTOP**

Manual ignition when the appliance is not fitted with the electronic ignition feature or in the event of failure in the electronic ignition.



**MAKE SURE THERE ARE NO PANS OR OTHER ANY OBJECTS ON THE BURNERS WHEN IGNITING.**

WARNING

To ignite burner gently push-in and turn the control knob to IGNITE POSITION and maintaining the knob pushed at the same time light the burner with a match or gas lighter. Once the burner is alight maintain the knob in this position for few seconds to ensure the flame remains alight.



**IF THE BURNER DOES NOT IGNITE IMMEDIATELY CHECK THERE IS SUFFICIENT GAS IN THE GAS BOTTLE.**

**IF THE APPLIANCE STILL DOES NOT IGNITE SHUT OFF THE GAS SUPPLY AT THE MAIN GAS TAP AND CONTACT YOUR LOCAL DEALER.**

**COOKTOP FLAME REGULATION**

To regulate flame turn the knob to the desired cooking flame.

**VISUAL FLAME CONTROL**

Propane: The flames internal tongue should be blue and the outline well defined.

**INJECTOR**

**THE OPERATIONS MUST BE CARRIED OUT BY AUTHORIZED PERSONNEL. SMEY DECLINES ANY RESPONSIBILITY RELATED TO SAID INTERVENTION.**



**CLEANING AND/OR REPLACEMENT OF BURNER INJECTORS (FIG. 1 - PAG. 21)**  
When removing or installing an injector, the holder must be held with a suitable tool.

BURNERS	INJECTOR Ø mm	HOBBED NUMBER
AUXILIARY Ø 47 mm - 1 27/32"	0.57	57
SEMI-RAPID Ø 62 mm - 2 7/16"	0.72	72
RAPID Ø 77 mm - 3"	0.80	80

**TEST PRESSURE POINT**

**THE OPERATIONS MUST BE CARRIED OUT BY AUTHORIZED PERSONNEL. SMEY DECLINES ANY RESPONSIBILITY RELATED TO SAID INTERVENTION.**



WARNING

The test pressure point is located on the pressure regulator.

**CLEANING**

**TURN OFF THE APPLIANCE AND ALLOW TO COOL BEFORE CLEANING. COLD WATER OR A DAMP CLOTH MAY DAMAGE HOT SURFACES.**



CAUTION

**DO NOT USE ABRASIVE, CORROSIVE, CHLORIDE-BASED PRODUCTS OR STEEL OR OTHER SCOURING PADS. DO NOT LEAVE ACIDIC SUBSTANCES E.G. VINEGAR, SALES LEMON JUICE ETC. ON THE APPLIANCE SURFACES. STAINLESS STEEL SURFACES AND ENAMELED PARTS SHOULD ONLY BE WASHED WITH SOAPY WATER OR NEUTRAL DETERGENT, RINSED AND DRIED. ONLY USE CLEAN SPONGES OR CLOTHS.**

**WARRANTY**

In case of warranty claim or any repair or replacement which becomes necessary, the vehicle or part dealer who sold the product should be contacted. Give model and serial number on all repair part orders and correspondence.